

# Sureconnect 2400

## Comprehensive Embedded Solutions

### AMD-L-BCTD

Is a division of Advanced Micronic Devices Limited, a group company of Opto Circuits (India) Limited.

The company's commitment to technology and support has been its area of strength and the reason for its customers to choose AMDL as a vendor of choice. Its customer base includes major Corporates, Defense Establishments, Software Technology Parks, MNCs and Super specialty Hospitals. AMDL has branches in all the Indian metros, Singapore, Malaysia and the US.

AMD-L-BCTD is committed for providing high levels of support to its clientele/associates by offering a broad range of services for payment systems and Embedded Products.

In addition to deployment, help desk, leasing services, and technical assistance and training for our products, AMD-L-BCTD has consultancy services for customization, design, installation, integration and management of payment systems.

Our Technology Services group offers diverse cost effective, high quality customized Software and Hardware design and development for embedded applications.

### **Sureconnect -MODEM-V1.0**

*AMD-L's Sureconnect 2400 bps Modem with SmartDAA for Embedded Applications.*

*The sureconnect embedded V.22bis modem solution is designed for high level of integration and robust performance. The V.22bis modem device is a simplified design in a small form-factor, that allows for quick time-to-market. Sureconnect V.22bis modem supports worldwide DAA and data modes up to 2400bps.*

*DAA line side device eliminates the need for costly analog transformers, relays and opto-isolators typically used in discrete DAA implementation for country-specific modem configurations. The result is a worldwide-reduced system cost solution. The DAA is system-powered, meaning the DAA operates reliably without drawing power from the line*

*The advantage of system-powered DAA over line-powered DAA is the enhanced performance when line current is insufficient. This low cost solution integrates microcontroller (MCU), serial host interface, ROM, RAM and DAA system side device (SSD) functions onto a single die.*



### **Specifications:**

- **Modulations**
  - ITU-T V.22bis (2400 bps)
  - V.22 and Bell 212A (1200 bps)
  - V.22 fast connect
  - V.21 and Bell 103 (300 bps)
  - V.23 1200/75 and 75/1200
  - V.23 Half Duplex (1200 bps)
- **V.42 and MNP2-4 Error correction**
- **Serial Interface**
- **Synchronous/Asynchronous Data Mode**
- **Hardware and software flow control**
- **Supports AT Command Set**
- **Other Protocols**
  - V.80 Synchronous Access Mode
  - V.23 Reverse Mode
- **Type I and Type II Caller ID Decoding**
- **Worldwide DC Mask Compliance**
- **Enhanced DAA features**
  - Digital Line Protection
  - Line-in-Use Detection
  - Extension Pickup Detection
  - Remote Hang-up Detection
- **Single +3.3V supply**



# Sureconnect 2400

Comprehensive Embedded Solutions

## Applications:

The sureconnect V.22bis Modem is ideal ready to use solution for embedded applications such as:

- POS Terminals
- Set-top Boxes
- Email Terminals
- ATM Machines etc.

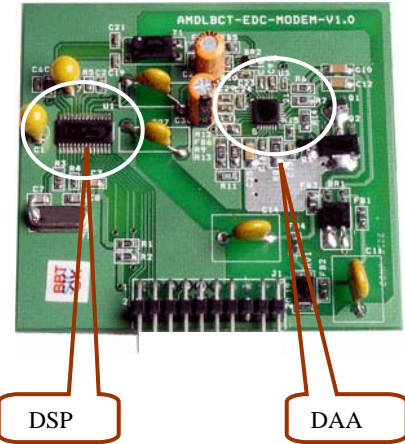
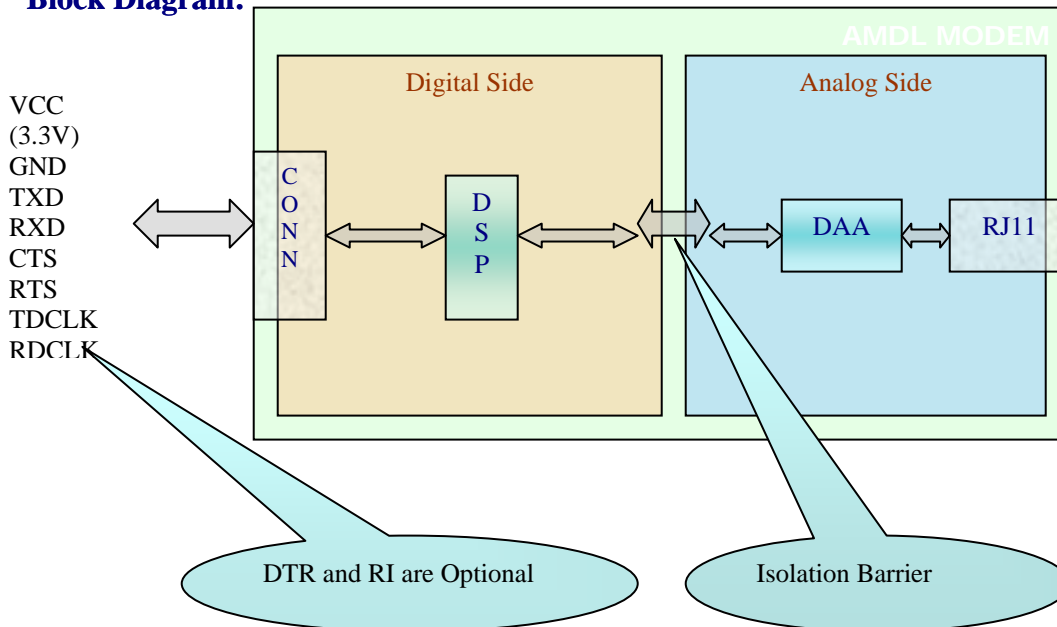
The Sureconnect-MODEM-V1.0 is designed for embedded applications with all signals in one single connector.

The Sureconnect Modems are also available in speeds upto 56000 bps.

## Advantages:

- DAA technology
- Worldwide support
- Quick time-to-market
- Low-cost solution
- Small form-factor

## Block Diagram:



Contact:  
P V Chandrasekar  
Ph : +91 80 28520306/30200460  
Mob: +91 99 800 27952  
Fax : +91 80 28528310  
E-Mail : [pvc@amdlbct.com](mailto:pvc@amdlbct.com)



[www.amdlbct.com](http://www.amdlbct.com)